

ROBOT INSTALLATION, MAINTENANCE TRAINING SEMINAR (FOR 30 ~ 450 TONS INJECTION MOLDING MACHINES)

1. Products : TOPIV Parts / Sprue Picking Robot (Pneumatic) :CE certified
2. Address : HYRobotics Corp
5988 Mid River Mall Dr.
St.Charles MO 63304 , Tel : 1-636-578-6059
3. Who need to attend : V.P of molding Operation, Shift Supervisor,
Maintenance Engineers, Machine Setup Man
4. Contents : TOPIV Sprue Part / Picking Robot
 - 1) When we need this robot ?
 - 2) Robot Sizing
How to specify the robot for your molding machine.
Cad drawing Samples,
Sprue Picking Only, Parts Picking, Suction, Chucking etc
 - 3) Order / Receiving / Inspection
How to place order, Receiving, Inspection
 - 4) Mounting
Mounting method
 - 5) IMM Interlock Wiring
Interlock Wiring, SPI, Euromap 12
 - 6) Safety Interlock Testing
Testing Interlock wiring
 - 7) Manual Robot Operation
Teach Pendant, Each Axis Robot Operation, Speed Control
 - 8) Auto Robot Operation
Auto Operation, Motion pattern Selection, Create, Step, One Cycle etc
 - 9) Optimum Operating Condition Setup / Safety
Timer Control, E-Stop, Safety Door
 - 10) Maintenance
Weekly, Monthly, Yearly Maintenance
Sensor, Interlock Relay
 - 11) End of Arm tooling Set up
5. Other : TS Alpha Series Controller, Touch Screen Controller
 - 1) About Robot,
 - 2) Touch Screen , Operation Benefit of Robot.
6. Question, Answer !

Special on sight sales : Test, take it to your plant with your truck or van if you want !

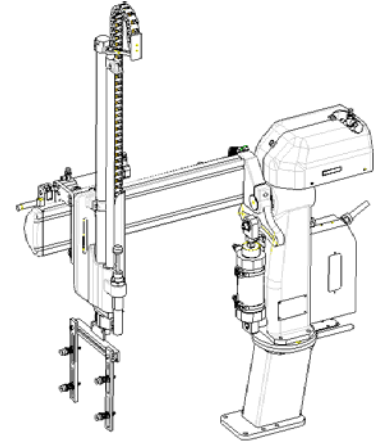
All the Products in Stock Item

TOPIV Sprue / Parts Picking Robots : For 50 ~ 350 Ton IMM

End of Arm tooling : Stem, Bar, Suction Cups, EOAT Kits

Robot repair Parts : Sensor, Solenoid Valve, Etc

Prices are the lowest in the industry. ! Good chance to shopping on sight!



CE CERTIFIED
ISO9001



Chance to save thousands \$\$\$

HYROBOTICS HYROBOTICS CORP. www.hyrobot.com

SEE US AT NPE 2006 BOOTH # 10364 !

SPRUE PICKING ROBOT REPAIRING SERVICE (FREE ESTIMATE) (FOR 30 ~ 450 TONS INJECTION MOLDING MACHINES)

1. Products : All brand sprue picker free estimation for repairing (Service with low cost guaranteed)
(Yushin, Wittman, Star, PPE, Conair, AEC, Paxon, Sterling, AAC)

2. Address : HYRobotics Corp
5988 Mid River Mall Dr.
St.Charles MO 63304 , Tel : 1-636-578-6059

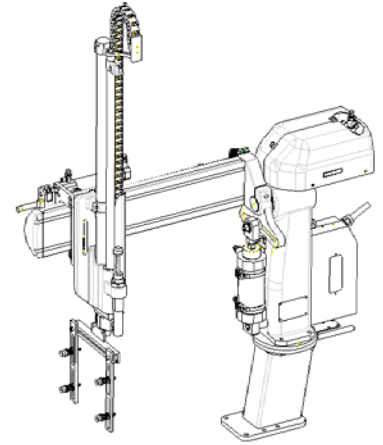
3. Service 1 : Repair Service

- 1) Estimation and Quote
- 2) Repair Order
- 3) Disassembled
- 4) Cleaned
- 5) Inspected for each component,
- 6) Replace component as required (Bearing, Sensor, Valve, Relay)
- 7) Repainted as required
- 8) Reassembled, and tested
- 9) Delivered to customer's plant or Pickup

Control unit might need to be upgrade as required : Service 2

4. Service 2 : Upgrade to TOPIV CE certified controller !

- 1) Estimation and Quote
- 2) Repair Order
- 3) Disassembled
- 4) Cleaned
- 5) Inspected for each component,
- 6) Replace component for TOPIV (Sensor, Valve, Relay , Control Board) ETC
- 7) Repainted as required
- 8) Reassembled, and tested with TOPIV CE certified new controller
- 7) Delivered to customer's plant or Customer can pick up after test.



**Repair
Rebuild
Upgrade !!!**

and save thousands \$\$\$

HYROBOTICS HYROBOTICS CORP. www.hyrobot.com

SEE US AT NPE 2006 BOOTH # 10364 !